

Association Ares - Ensea
Bains numériques
Fabrique numérique
Thursday 2 June 2016 - 11:00 to Friday 3 June 2016 - 22:00

▼ [Presentation](#)



Ares is the robotics arm of the Technology Office at the ENSEA, France's engineering and electronics school in Cergy Pontoise. This division organises the ENSEAck, the first electronic hackathon in Val d'Oise.

Ares students will present at the Digital Factory prototypes they produced for the Robotics French Cup in May 2016.

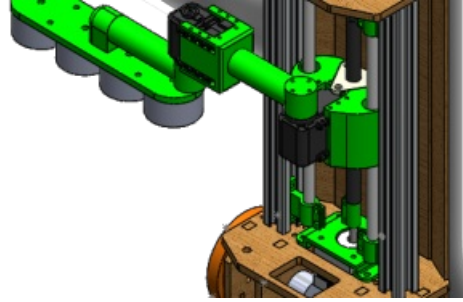
Partenaires :

Elsys Design, Dipole Electronique, ENSEA



Website : ares.asso-ensea.net

Images de présentation:



[Prev](#) [Next](#)

Practical Informations:

Practical information Fabrique numérique

DIGITAL FACTORY

PERGOLA NOVA - ESCALE AFFAIRES

87, rue du Général de Gaulle
Enghien-les-Bains

FREE ACCES

Reservation recommended for Factory meetings

DATES ET HORAIRES

From 2nd till 3rd june 2016

June 2nd from 11 a.m till 7 p.m

June 3rd from 11 a.m till 10 p.m

Nocturne with DJ Set of **KONGOSAN**